



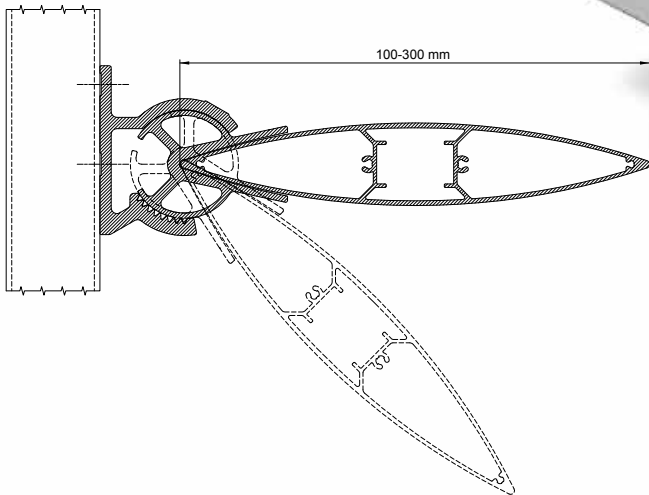
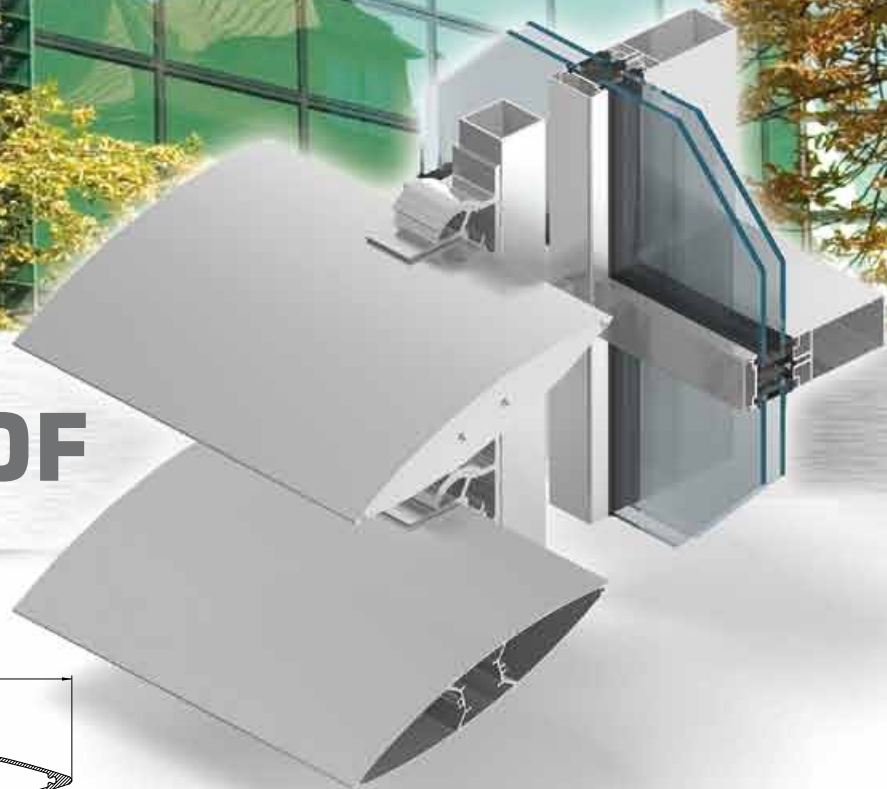
• Solar glare control

• Reduced energy use

• Remarkable visual effect

Sun Shades

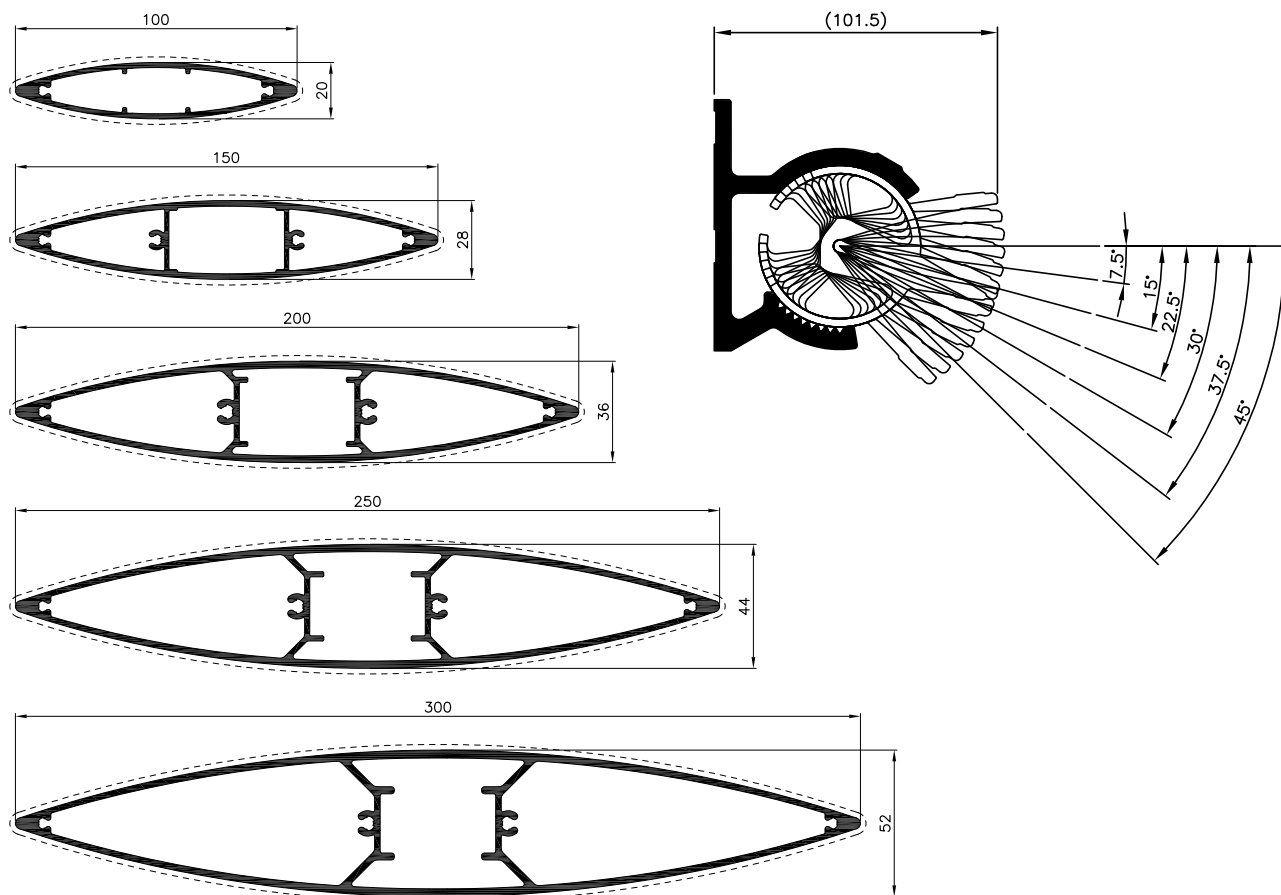
MB-SUNPROF



Conserving energy by reducing exposure to direct solar radiation while allowing for natural day lighting is one of a major focus of today's environmentally aware engineers, architects and specifiers. MB SUNPROF Sun Shades have been designed to meet these needs. The system comprises aluminum blades, which are available in variety of sizes and integrate the Aluprof's curtain wall systems range, providing an impressive visual effect that helps unite the building envelope.



MB-SUNPROF



FEATURES AND BENEFITS

- selection of aluminum blade profiles of width from 100 to 300 mm to serve variety of projects' requirements
- range of outriggers (brackets) to choose from
- up to 45 degrees incident angle
- brings together solar glare control with the appropriate amount of natural light coming into the building's internal environment
- comes together with Aluprof's MB range of curtain wall systems, ensuring significant visual effect on the building envelope
- quick and easy to install to the curtain wall, load bearing wall or window frame
- retrofit options for existing buildings that have utilized MB range of curtain walls
- wide range of finish option

Limiting the solar heat gain of the building through the use of MB-SUNPROF Sun Shades on the curtain wall ensures the enhancement of the thermal performance of the building combined with energy savings through

- reduction of direct solar heat whilst remaining natural light rate coming inside the building
- lowered use of energy required to operate electric ventilation and air conditioning systems
- optimization of natural ventilation

Please refer to our Local technical support team for advice and support in estimating energy saving rates that result from the use of MB-SUNPROF sun shades for each individual project.